

REMOTE CONTROL PIR TRANSMITTER USER INSTRUCTION

Ref. EMW100PIR

A. Features

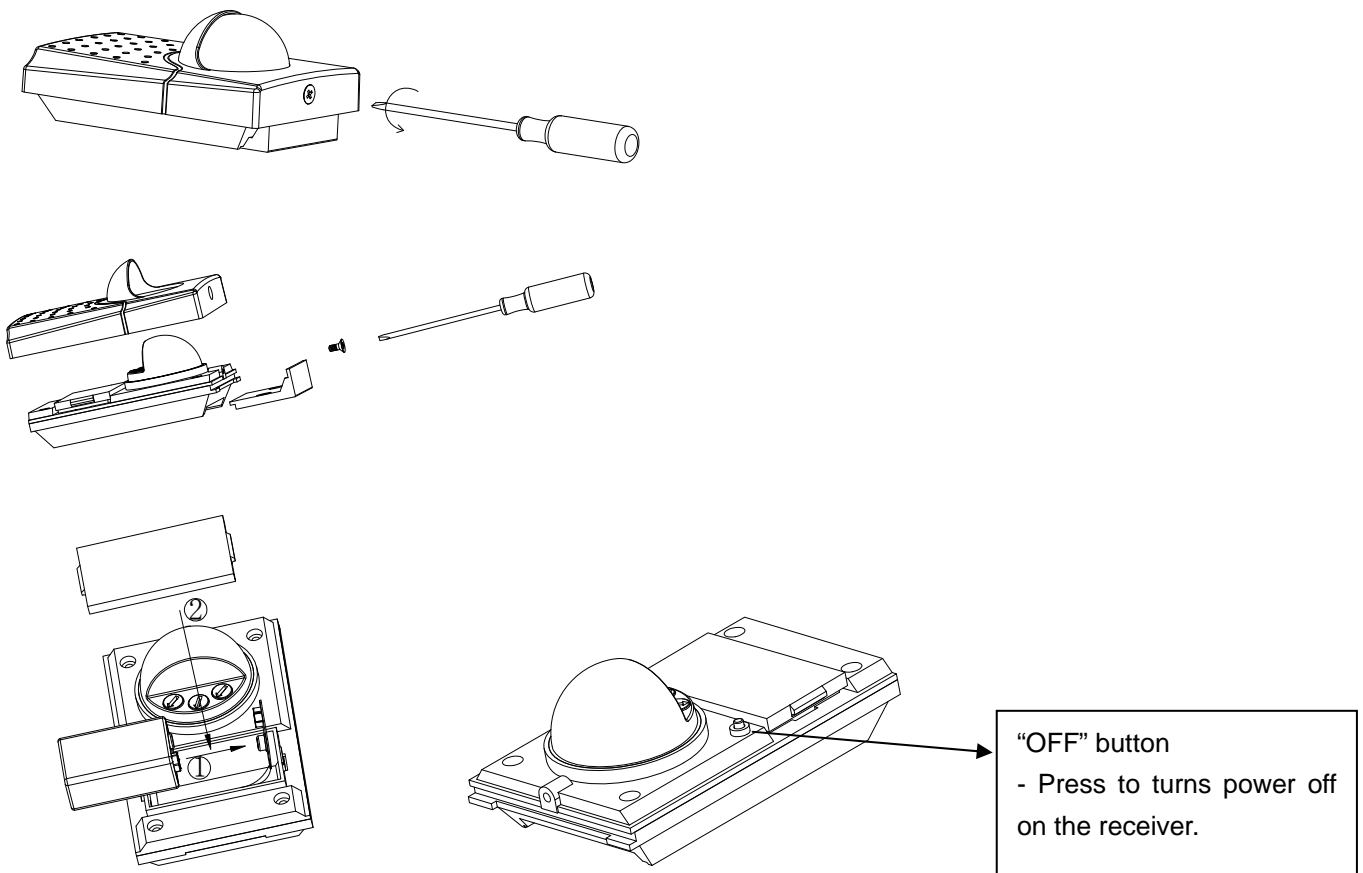
This wireless PIR transmitter can send signals to the corresponding receiver within 25 meters distance by detecting people pass by.

It is recommended to be installed for garden lighting, corridor lightings or garage used.

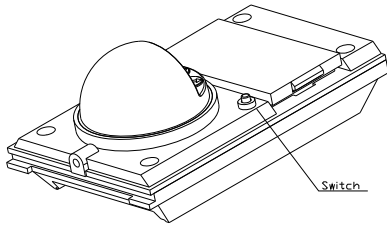
Ideal for home automation, energy saving and home security purpose.

B. Operation

1. Before the operation, unscrew the screw at the bottom of the housing and to put the battery inside in order to electrify the whole transmitter. **Fig 1**

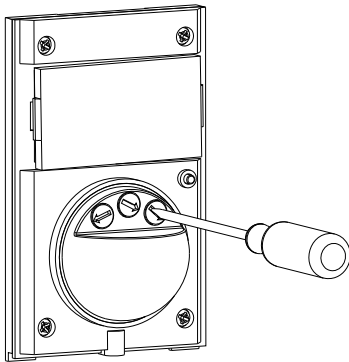


2. Please train the transmitter to the corresponding receiver by following steps:
 - Connect the receiver to the main power supply.
 - Press and hold the "ON/OFF Learning Code" on the receiver button until the red "Indicator" blinks.
 - Press the OFF button on PIR transmitter until the "Indicator" stops blinking.
 - The receiver is trained to respond to the PIR transmitter.
 - Press the "OFF" buttons on the PIR transmitter to switch off the connected appliance.
 - Press the "ON/OFF Learning Code" button on the receiver EWM100R to switch on and off the connected appliance manually.
 -



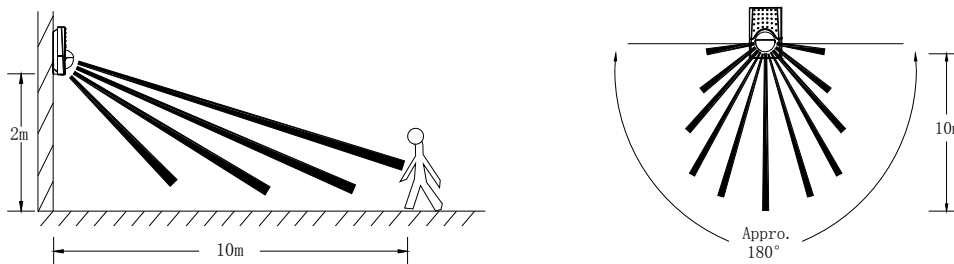
3. Remote Control PIR sensor transmitter setting mode:

- To set the lux level, adjust the far left knob, with(*) daylight and (C) darkness engraving, with the arrow direction towards“*” to increase lux level, with the direction towards“C” to decrease the lux level;
- To set the light turn on period (from about 10 seconds to 4 minutes), adjust the middle knob with the arrow direction towards“+” to extend the period, with the direction towards“-” to reduce the turn on period.
- To set the sensitivity level, adjust the right first knob with the direction towards“+” to increase sensitivity, with the direction towards“-” to decrease the sensitivity; **Fig3**



4. After settings, put the cover back. Put this transmitter towards the direction where human activity happened mostly for detection.

Detection area is within 10 meters ahead and horizontally 180 degree as shown below. **Fig4**



5. When the LED in the transparent cover is lighted, it means the battery is lack of energy. Please replace the battery in time.

C. Specification

1. Detection area: Max 10 m(ahead), about 180 ° (horizontal) ;
2. Lux level: Adjustable from daylight to darkness;
3. Turn on period: about 10 seconds to 4 minutes;
4. Sensitivity: Adjustable;
5. Frequency: 433.9 MHz ± 100 KHz;
6. Transmission range: 30 meters open area
7. Battery: 6F22 9V PP3